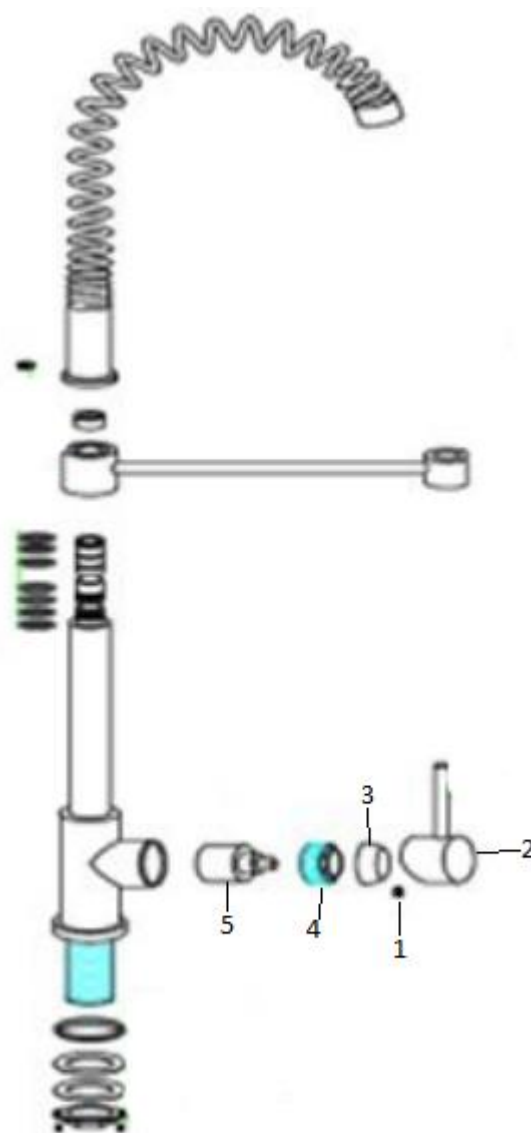


Franke Swiss Pro New Tap Replacing Cartridges

Replacing the cartridge

Before replacing the cartridge you will need to turn the water off. You will first need to remove the handle retaining screw (1) by using a 2.5mm allen key. You will then be able to remove the handle (2). You can then remove the cartridge cover (3) by unscrewing it anticlockwise. You'll then need to use an adjustable spanner to unscrew the cartridge locking ring (4). Once the locking ring is removed, you can remove the existing cartridge (5) and replace with the new parts.



Central Services Ltd
Unit 17 Park Hall Business Village
Park Hall Road
Stoke-on-Trent
ST3 5XA

01782 599258
ks-ukcentralservices.gb@franke.com

*Make
it
Wonderful*

FRANKE